

# Center break disconnecter

IEC 62271-102 standard compliant

## TYPE SR16200

Ur : 123 to 245 kV - BIL 550 to 1050 kV - Ir ≤ 3150 A

Ik ≤ 50 kA - tk : 1s - Ip ≤ 130 kA



### Technical description

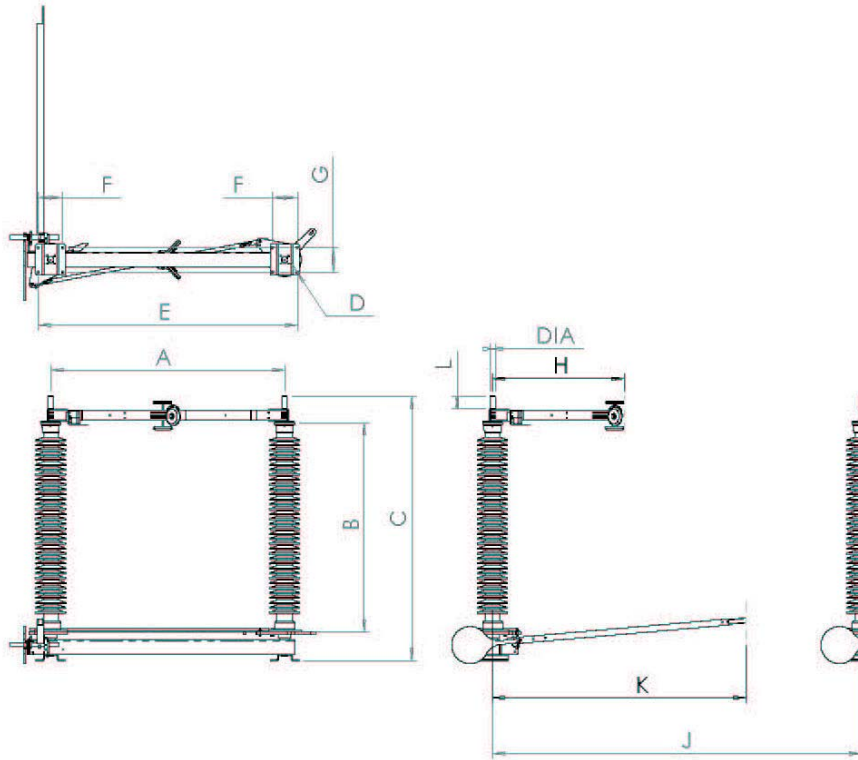
- Air disconnect switch, center-break moved by two swiveling post-insulators.
- Contacts at breaking point and at intake terminal contact.  
Tangential contact lines between:
  - Male part made of cylindrical silver plated copper part and
  - Female part made by 2 sets of silver plated copper contact blades
 Contact Pressure insured by spring-leafs.
- Current path elements made of two continuous spaced copper flat bar profiles.
- Post-insulators swivelling system designed for 90° swivelling movement i.e. Stainless steel axis in double self-lubricant ring bearing (no roll or ball-bearing) housed in an aluminium support body, bolted on the base frame support.
- Base frame support made of hot galvanized steel rigid profile.
- Installation Can be either horizontally, or vertically, or bottom-up installed.

### Available choices

- Post insulators
  - Standard: brown glazed porcelain as per IEC 273 C4 (4 kN) - Pollution 25 mm / kV
  - Upon request: CEI 273 C6 (6 kN), Pollution grade 31 mm/kV or as per ANSI TR Type)
- Primary terminals
  - Standard: copper stud type
  - Upon request either aluminium or copper pad type
- Operating drives
  - Group operated or single pole operated
  - Both manual and motor operation are available (see dedicated catalogues)
- Associated earthing switch can be added at either one, the other, or both sides
  - Standard Ik & tk withstand value 40 kA 1sec
  - Standard : installation perpendicular to supporting frame
- Disconnecter and earthing switch interlocking
  - Mechanical system fully integrated
- Earthing switch's operating drives
  - Group operated or single pole operated
  - Both manual and motor operation are available (see dedicated catalog)
- Seismic withstand
  - Standard: up to 0,2 g (higher values upon request)
- Ice operation
  - Standard: up to 10 mm (20 mm upon request)
- Mechanical endurance
  - Standard: 2000 operations (open & close) (higher values upon request)
- Small current breaking capacity
  - Standard: 0,5 A (for higher values see options hereafter)

### Optional

- Making and breaking capacity for bus-transfer currents (see dedicated catalogues) as per IEC 62271-102 Annex B.
- Breaking capacity for capacitiv and inductive currents (see dedicated catalogue). Breaking device for 6A under Ur.
- D.S. & E.S. interlocking with other apparatuses: Using either combined key lock system, electro-mechanical system (coils), or electrical (relays).

**CENTER BREAK DISCONNECTOR TYPE SR16200 - Ur: 123 kV to 245 kV**
**Outline drawing**


Copper stud terminal	Ir	DIA	L	Ir	DIA	L	Ir	DIA	L	Upon request, either aluminium or copper pad type
	3150 A	Ø 50	95	2000 A	Ø 40	95	1250 A	Ø 30	95	

Type	Rated voltage Ur	Rated current Ir	Ik tk 1 sec.	Fixation										Weight per pole	R20°C	DS with ES		overall dimensions		
				A	B	C	D	E	F	G	H	J	K			Weight	L	Lg	Ht	
				mm	mm	mm	mm	mm	mm	mm	mm	mm	mm			mm	Kg	mm	mm	mm
SR16200	245 kV	3150 A	50 kA	2500	2300	2800	8 x Ø18	2700	200	200	1400	4000	480	40	2710	520	3125	700	2800	
		2000 A	50 kA			2800										500				
	170 kV	3150 A	50 kA	1900	1700	2200	8 x Ø18	2100	200	200	1080	3000	400	35	2100	440	2525	700	2200	
		2000 A	50 kA			2200										420				
	145 kV	3150 A	50 kA	1650	1500	1950	8 x Ø18	1850	200	200	950	2600	280	30	1880	310	2275	700	1950	
		2000 A	50 kA			1950										290				
	123 kV	3150 A	50 kA	1650	1220	1670	8 x Ø18	1700	200	200	910	2300	220	30	1600	250	2125	700	1670	
		2000 A	50 kA			1670										230				

**General features**

- Applicable standard as per IEC 60694 & 62271-102
- Products and contracts managed as per ISO 2001 (certified).
- Routine test and workshop inspection managed as per QA procedure internal document 00DAP01.
- Packing standard as per SEI specification (European committee for packaging)
- Type tests reports available upon request.

**CENTER BREAK DISCONNECTOR TYPE SR16200 - Ur: 123 kV to 245 kV**  
**Erection drawing for rated voltage**

